

E5

The louvered E5 is an unobtrusive, low-voltage, aimable path/step/dock light.

Construction All brass components. 1/8" [3mm] thick brass housing. 1/2" schedule 40 brass stem.

Lens Tempered frosted soda lime glass

Voltage 12 Volts AC/DC with integral driver (9-15V input, dimmable below 9V). Remote transformer required.

Stem Height

___ 0	0" Male threaded fitting only—no additional height
___ 2	2" [5 cm]
___ 4	4" [10 cm]
___ 8	8" [20 cm]
___ 12	12" [30 cm]
___ 16	16" [41 cm]
___ 20	20" [51 cm]
___ Custom	Custom height (in inches)

Lamps LED light engine • Triac dimmable: MLV >6% typ.

Cree XPE2 chip
2 Watt AMBER (1700)

___ 2W-A-NFL	10° spot
___ 2W-A-FL	30° narrow flood
___ 2W-A-NO	50° flood

Cree XPE2 chip
2 Watt RED-ORANGE (1000K)

___ 2W-RO-NFL	10° spot
___ 2W-RO-FL	30° narrow flood
___ 2W-RO-NO	50° flood

Cree XPG2 chip
3 Watt Warm White (3000K)*

___ 3W-NFL	10° spot
___ 3W-FL	30° narrow flood
___ 3W-NO	50° flood

* Also available in 2700K. Add color suffix to lamp specification, e.g. "3W-NO-2700K"

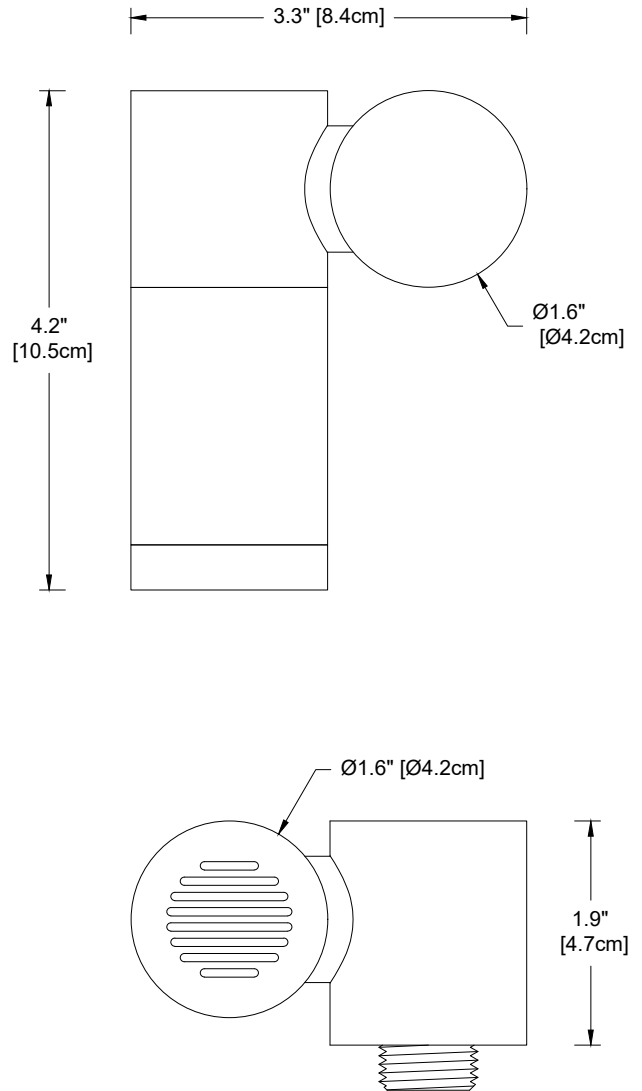
Optical Accessories

___ CTO-1/4-1.36	Color Temperature Orange filter 1/4
___ CTO-1/2-1.36	Color Temperature Orange filter 1/2
___ CTO-3/4-1.36	Color Temperature Orange filter 3/4

Mounting Accessories 1/2" male threads. Mounts into any standard j-box or:

___ BSB	Brass Surface Box for surface-mount applications on concrete or wood. Includes internal brass collar and stainless steel lag screws. 4.25" (11cm) diameter x 2.0" (5cm) high.
___ GS2	Heavy-duty ground spike
___ GS2BC	Heavy-duty ground spike with cast brass cap
___ GS3R	Heavy-duty ground spike with brass cap for telescoping fixture riser
___ JB	Cast brass junction box

Finish: Unfinished is standard; no specification required. The fixture will weather to a natural patina. The patina process is natural with brass and copper. Rate of patina and eventual color is dependent upon climate and proximity to the ocean. Thus, Beachside does not guarantee any specific appearance.



E5 with 0" stem

IP 66
10 year fixture warranty
5 year Cree LED module warranty

Project _____	By _____	Date _____
For ordering purposes, please specify (example: E5—8—2W-A-NO—CTO-1/2-1.36—BSB)		
E5	—	—
Fixture	Stem Height	Lamp / Optic
		—
		Accessory(ies)